

TT-3062D Capsat® Compact Carphone



Features

- Extremely compact and power conserving in-vehicle satellite telephone for world-wide transfer of your telephone calls, fax prints, and e-mail/data messages.
- Handset, fax, aux. phone and Hayes compatible data port, each with their own telephone number.
- Ultra low profile Automatic Tracking Antenna with integrated HPA/LNA and magnetic mount included as standard.
- Manual choice between 2 elevation zones, i.e. High-beam or Low-beam.
- Built-in SIM Card reader
- Easy to install with a separate dashboard unit.
- Optional Hands-free kit available.
- Optional STU-IIB/STU-III interface.

Description

The TT-3062D Capsat® Compact Carphone turns your vehicle into a Highly advanced communication center and gives you true global and independent high quality voice, fax or data connections to any destination in the world within a matter of seconds.

The TT-3062D extends your mobility from "GSM" coverage to true global coverage, thus providing a reliable means of communication no matter where you are.

The ultra low profile Automatic Tracking Antenna with integrated HPA/LNA is only 9 cm in height, making it ideal for roof-mounting. The integrated HPA/LNA simplifies the installation with a single cable connection between the antenna and the main electronics unit. The antenna may be relocated up to 70 meters from the main electronics unit.

The very compact design of the Capsat® Compact Carphone makes it easy to install the Capsat® in a large variety of vehicles, ranging from longhaul trucks to off-roaders and trains.

The TT-3062D can be operated from the handset just like an ordinary GSM telephone, or from an aux. phone or fax machine. For e-mail/data messages you can utilise the built-in Hayes compatible data modem.

The Capsat® Compact Carphone fully supports hands-free operation, ensuring safe driving while talking.

The flexible design of the dashboard unit allows easy installation as well as easy access to both fax, aux. phone, and data connections.

Characteristics

General Specifications:

Inmarsat-phone spot-beam operation. Meets or exceeds current and proposed specifications.

Antenna: Azimuth stabilised antenna, manually selectable directional RHPC patch or helix antenna.

Coverage:

Patch: 32° to 67°

Helix: 15° to 41°

Vehicle Motions: Induced acceleration 0.5g, Velocity 110 km/h, Turning rate 60°/s, Turning acceleration 20°/s.

G/T: -17 dB/K minimum.

EIRP: 8-14 dBW in 2 dB steps.

Antenna Cable: TNC male / 2.5 meter.

Max. cable loss 7.5 dB at L-Band, 1.8 Ohm at DC.

Operating Frequencies:

Receive 1525.0-1559.0 MHz,

Transmit 1626.5-1660.5 MHz.

Channel Spacing: 1.25 kHz.

Rx-Modulation: 5.6 kbps O-QPSK SCPC (voice/fax/data), 6 kbps BPSK TDM.

Tx Modulation: 5.6 kbps O-QPSK SCPC (voice/fax/data), 3 kbps BPSK TDMA.

Voice: 4.8 kbps AMBE (3.6 kbps voice, 1.2 kbps FEC).

Async. Data Rate: Max. 2.4 kbps.

Phone Interface: 2-wire 600 ohm CCITT Rec. G.473, standard DTMF telephones, RJ-11 jack.

Fax Interface: 2-wire 600 ohm CCITT Rec. G.473, T.30 Group-III Fax, , max. 2.4 kbps, RJ-11 jack.

Data Interface: Serial EIA standard RS-232E, Hayes compatible, max. 19.2 kbps, DB-9 female connector.

Printer Interface: Serial EIA standard RS-232E, max. 19.2 kbps, DB-9 female connector.

Hands-free Microphone: ø2.5 mm connector.

Hands-free Speaker: 8 Ohm, ø3.5 mm connector.

Ignition Input: Isolated input. PTR screw connector.

Extra Ringer: RS-410-type-N open collector output. PTR screw connector.

Mute Output: RS-410-type-N open collector output. PTR screw connector.

Sim Card: GSM like operation, ISO-7816.

Power Supply: 10.5-32 Vdc floating.

Ambient Temperature: -25° to 55° operating, -40° to 80° storage.

Relative Humidity: 95% non-condensing at 40°C.

Spray (EME): Solid droplets from any direction.

Icing (EME): Up to 25mm ice (no operation).

Rain (EME): Up to 50mm/hour.

Wind (EME): 200 km/h relative wind speed (no operation).

Vibration: Random 5-20 Hz 0.02g/2/Hz, 20-150 Hz -3dB/Oct. (1.05g rms).

Shock: Half sine, 20g/11ms (survival).

Dimensions & Weight:

TT-3034G Electronics Unit :

HxWxD, 25mm x 268mm x 211mm, 1.3 Kg.

TT-3007F Low Profile Antenna :

HxD, 90mm x 285mm, 2.7 Kg.

TT-3622A Handset Cradle :

HxWxD, 160mm x 61mm x 27 mm.

0.15 Kg.

TT-3620B Handset :

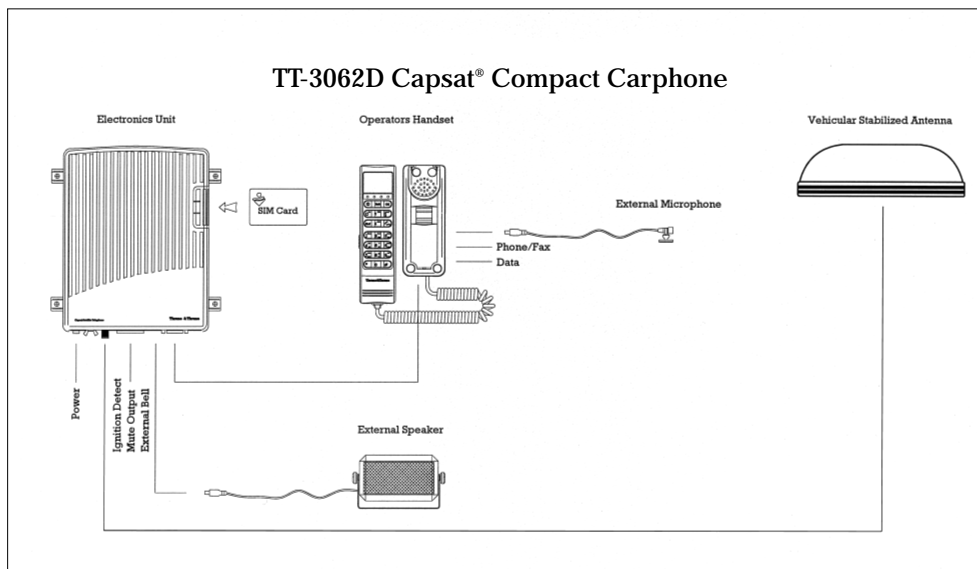
HxWxD, 200mm x 52 mm x 33mm.

0.25 Kg.

EMC: ETSI 300339 (mobile equipment).

■ Our products are under continuous research and development. Any information may therefore be changed without prior notice.

Capsat is a registered trademark of Thrane & Thrane A/S, Denmark



Thrane & Thrane A/S
Tobaksvejen 23
DK-2860 Søborg
Denmark

Phone +45 39 55 88 00
Fax +45 39 55 88 88
E-mail info@tt.dk
www.tt.dk

Distributor: